

Lateral File

Model Number:

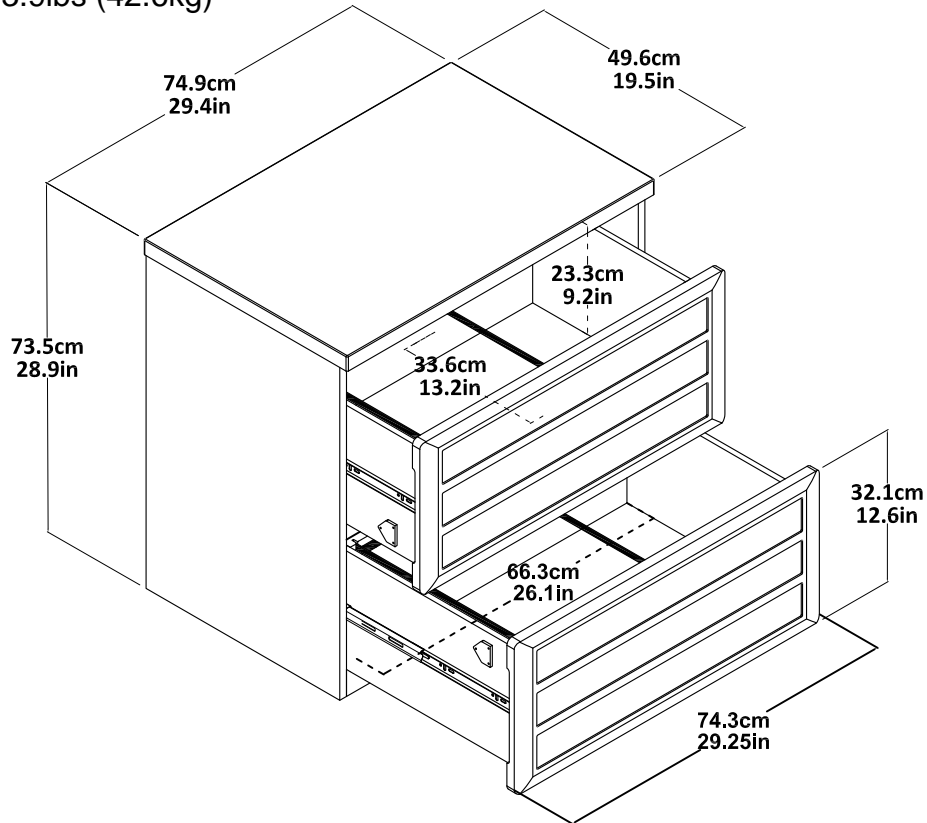
9522096,9522196,9522296



OVERALL PRODUCT SIZE(in inches)

Bookcase: 29.4"(W)* 19.5"(D)* 28.9(H)

Unit Net Weight: 93.9lbs (42.6kg)



MAXIMUM WEIGHT CAPACITIES

